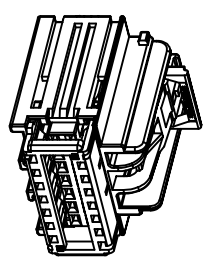
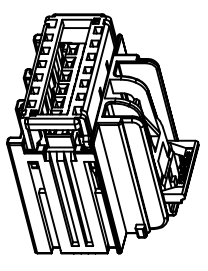
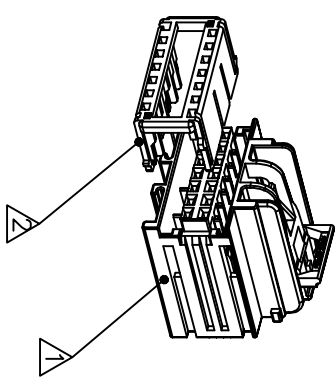
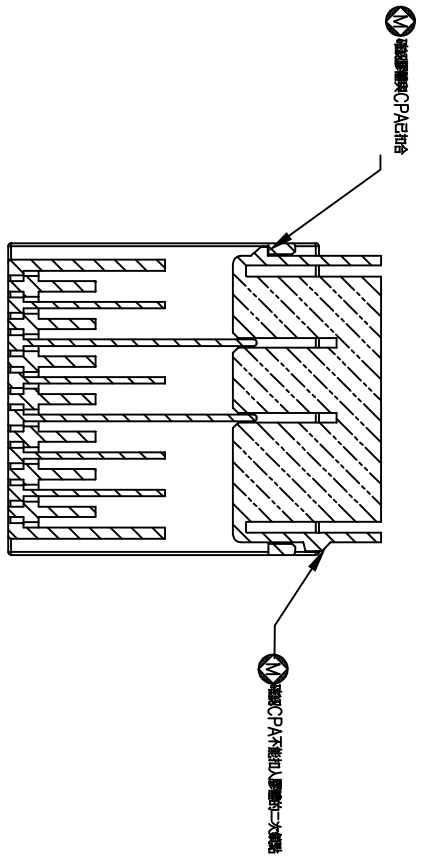
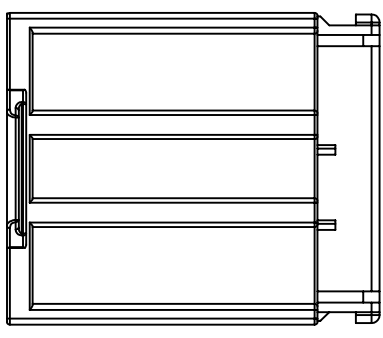


- NOTES:
1. MATERIAL IS PBT+GF15%
 2. THE CAVITY, LOGO MAX HEIGHT 0.10mm ABOVE SURFACE. THE TEXT HEIGHT IS ABOUT 1mm.
 3. IF ANY DIMENSIONS OR DRAFT ANGLES WEREN'T MARKED, PLS. REFER TO 3D DRAWING
 4. SPEC. PLEASE REFER TO SPEC-92413-XXXXX
 5. PACKAGE FOR BAG
 6. TERMINAL :92508-T03L-CA1 SOCKET:92208-XXXXX-CA1
 7. PART NUMBER

92413-014 X X -CA1
 NO OF CKT
 PACKING 3:BAG
 PLATING 9:NONE



SECTION A-A

NO.	PART/NO.	NAME	Q'TY
△	92413-014HOM1-001	HOSING	1
△	92413-014SOM0-001	SUTTER	1

宏致電子股份有限公司
 Aces Electronics Co.,Ltd.

一般公差 TOLERANCES X ±0.5 XX ±0.16 X ±0.25 XXX ±0.1 ANGLES ±2°		品名 (ITEM) Auto Female Conn.025 type		製圖 (DR) Huang Feng 17/25/19	
檢驗尺寸標示 SYMBOLS ① ② INDICATE CLASSIFICATION DIMENSION		圖號 (DWG NO.) 92413-014XX-CA1		核准 (APPD) Lee Kuang En	
③ MARK IS CRITICAL DIM. ④ MARK IS MAJOR DIM.		比例 (SCALE) 單位 (UNITS) 2:1 mm		張數 (SHEET) 1 OF 1 尺寸 (SIZE) A4 版次 (REV) 0	
表面處理 (FINISH)				審核 (CHKD) Lee Kuang En	